

<b>JUNGLE<sup>4x4</sup></b>	<b>FITTING INSTRUCTIONS</b>
PRODUCT NAME:	FRONT BULLBAR
MODEL NAME:	DELUXE BAR, SPORTS BAR
CAR MODEL:	MAZDA BT50 - 2020

## NOTE

- This product must be installed as per the instructions given below using the components supplied.
- This product must be used for specified vehicle make and model.
- All product labels should be kept untouched/not tampered with.
- This product must not be modified until otherwise mentioned/suggested.
- Professional installation of this product is recommended and requires professional tools.
- The installer should check for component clearances before finalising the installation of the product.
- Bolts/nuts fastened to specified torque unless otherwise instructed.

### Torque settings for fasteners

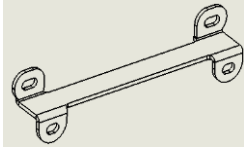
SIZE	TORQUE (Nm)	TORQUE (lbft)
M5	5	4
M6	9	7
M8	22	16
M10	44	32
M12	77	57

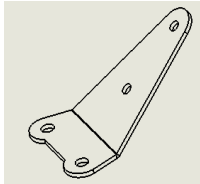
### Tools Required

Basic tool kit	Temporary marker pens
Plastic trim cutting tool/blade	Torque wrench
Tape measure	Drill with full metric drill set
Masking tape	18mm solid block

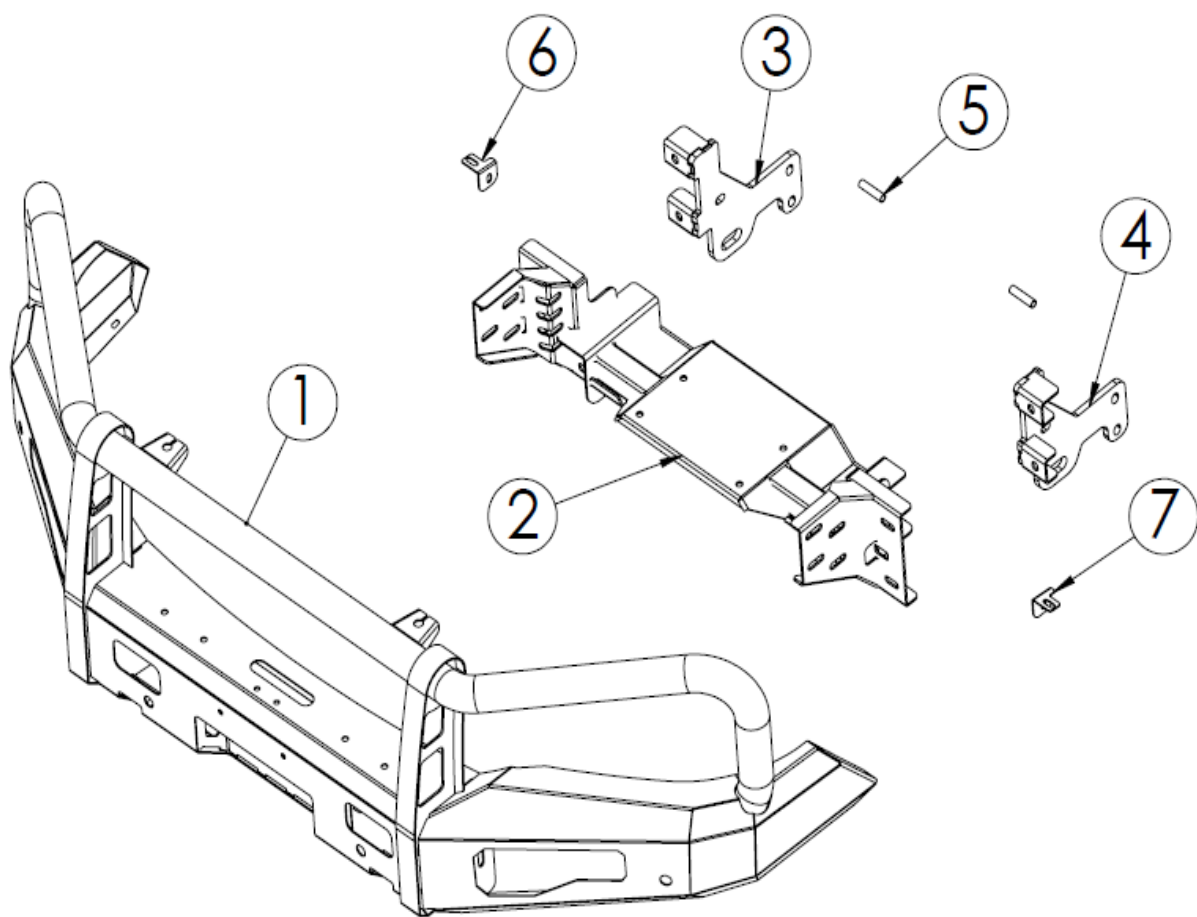


Part List		
No.	Description	Qty
1	Bull Bar Mazda BT50 2020+	1
2	Bar Mount	1
3	Recovery Point RH	1
4	Recovery Point LH	1
5	Tube Spacer $\varnothing$ 14mm x 55 mm	2
6	Bracket Wing Guard RH	1
7	Bracket Wing Guard LH	1
N/A	Sensor Plug 22 mm (Fit on Bar)	4
N/A	Pinch Weld (350 mm)	2

License Plate		
		
No.	Description	Qty
N/A	M6 x 1.0 x 25 Hex Bolt	4
N/A	M6 x 1.0 Flange Nut	2
N/A	M6 x $\varnothing$ 12.5 mm Flat Washer	6

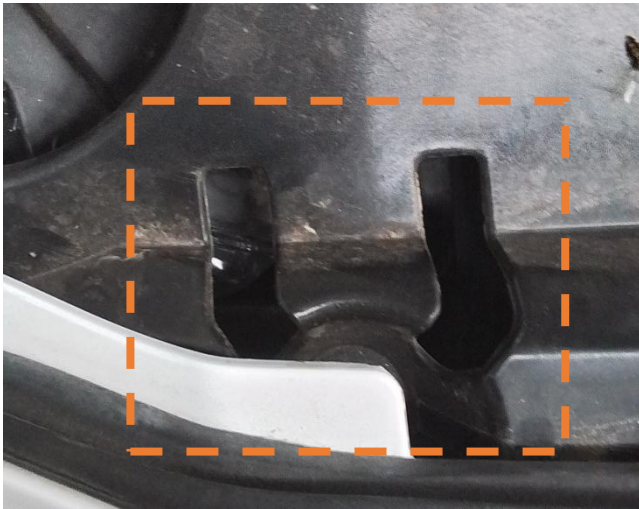
Control Winch Plate		
		
No.	Description	Qty
N/A	M6 x 1.0 x 25 Hex Bolt	2
N/A	M6 x 1.0 Flange Nut	4
N/A	M6 x $\varnothing$ 12.5 mm Flat Washer	6

Bolt Kit		
No.	Description	Qty
N/A	M8 x 1.25 x 30 Hex Bolt	2
N/A	M8 x 1.25 Nyloc Nut	2
N/A	M8 x $\varnothing$ 24mm Flat Washer	4
N/A	M10 x 1.25 x 35 Hex Bolt	14
N/A	M10 x 1.25 x 90 Hex Bolt	2
N/A	M10 x 1.25 Nyloc Nut	10
N/A	M10 x $\varnothing$ 28mm Flat Washer	26
N/A	M12 x 1.25 x 35 Hex Bolt	8
N/A	M12 x 1.25 Nyloc Nut	8
N/A	M12 x $\varnothing$ 32mm Flat Washer	16
N/A	Bumper Trim Template LH	1
N/A	Bumper Trim Template RH	1





- Check car for damages and report if any.



- Undo indicated radiator top shroud screws/scrivets (LHS & RHS) and retain.



- Undo fender guard scrivets and retain.



- ❑ Using a masking tape and trim template provided with the fitting kit mark along the indicated and place the template accordingly.



- ❑ Undo front grill and bumper and retain. Remove all air-dam components.



- ❑ Mark along the indicated and make a cut.



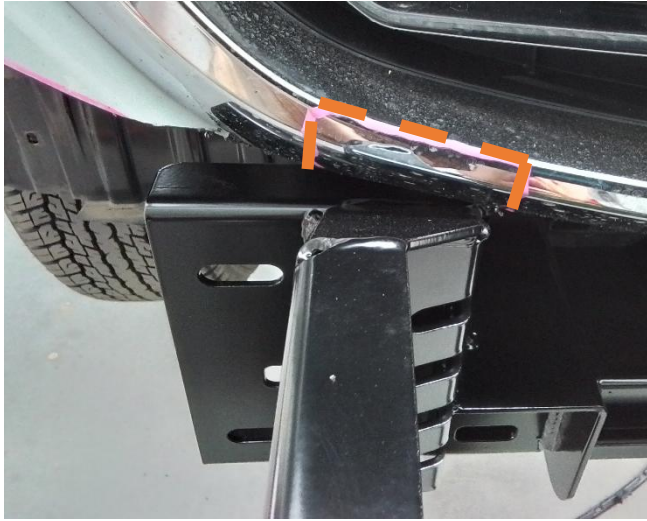
- Trim the bumper using the bumper trim template.



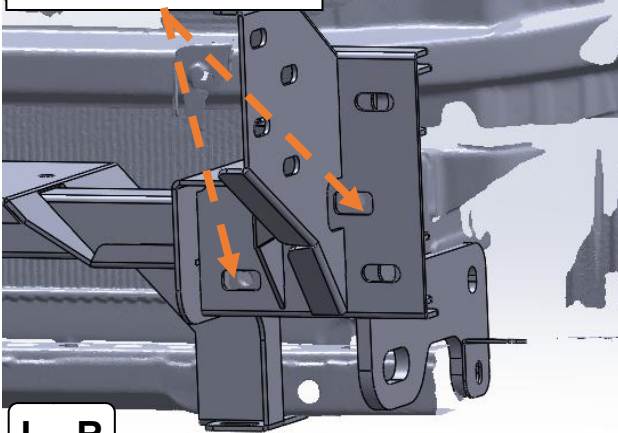
- View of the bumper after trimming.



- Use the rubber trim provided with the fitting kit along the trim edges.



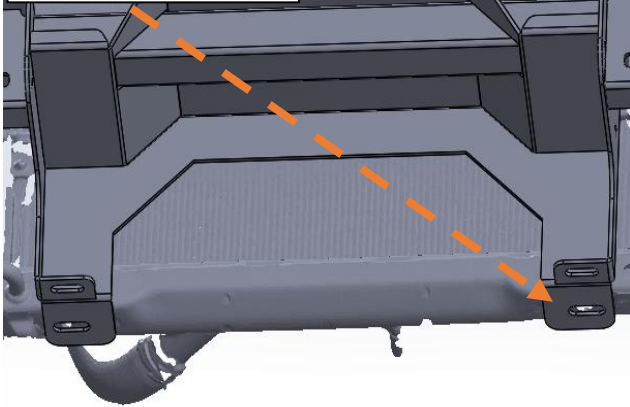
**M10x1.25x35 Hex Bolt**  
**M10x28mm Flat Washer**



**L - R**

- Install winch cradle using the bolt kit provided.
- Mark along the indicated (take cradle mount as reference) and make a slotted cut.

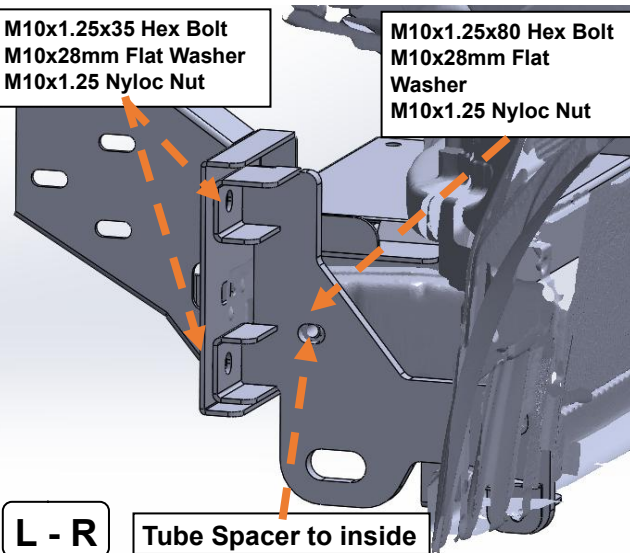
M10x1.25x35 Hex Bolt  
M10x28mm Flat Washer



- Mount indicated support brackets.

M10x1.25x35 Hex Bolt  
M10x28mm Flat Washer  
M10x1.25 Nyloc Nut

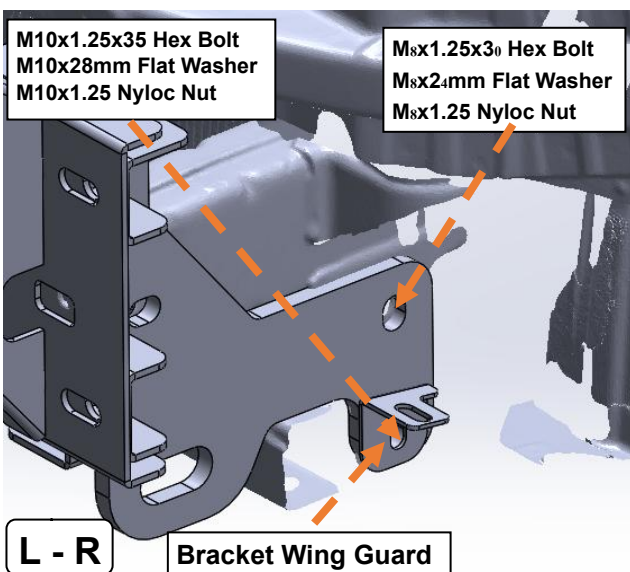
M10x1.25x80 Hex Bolt  
M10x28mm Flat Washer  
M10x1.25 Nyloc Nut



- Mount recovery point and support brackets as indicated.

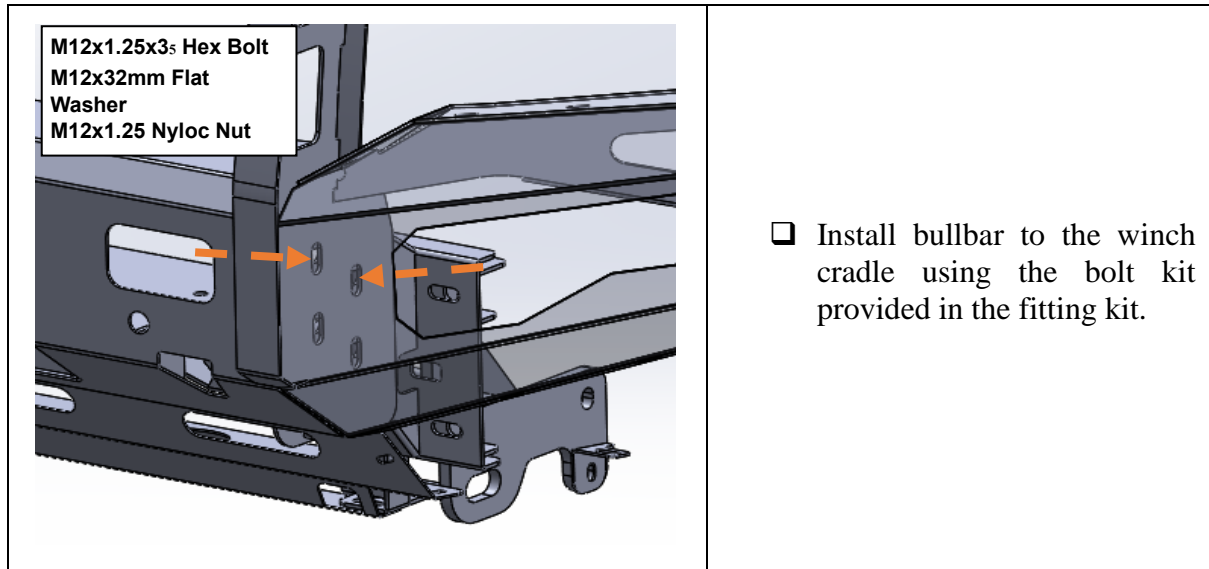
M10x1.25x35 Hex Bolt  
M10x28mm Flat Washer  
M10x1.25 Nyloc Nut

M8x1.25x30 Hex Bolt  
M8x2mm Flat Washer  
M8x1.25 Nyloc Nut



- Install brackets for wing guards as indicated.





**Disclaimer:**

- ❑ For optimal fitting there should be an 18 mm gap between the bullbar and fender and parallel to the fender line.
- ❑ Further fitment is at the installer's own discretion.