

JUNGLE^{4x4}	FITTING INSTRUCTIONS
PRODUCT NAME:	FRONT BULLBAR
MODEL NAME:	DELUXE BAR, SPORTS BAR
CAR MODEL:	FORD RANGER PX3

NOTE

- This product must be installed as per the instructions given below using the components supplied.
- This product must be used for specified vehicle make and model.
- All product labels should be kept untouched/not tampered with.
- This product must not be modified until otherwise mentioned/suggested.
- Professional installation of this product is recommended and requires professional tools.
- The installer should check for component clearances before finalising the installation of the product.
- Bolts/nuts fastened to specified torque unless otherwise instructed.

Torque settings for fasteners

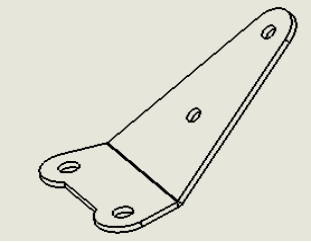
SIZE	TORQUE (Nm)	TORQUE (lb ft)
M5	5	4
M6	9	7
M8	22	16
M10	44	32
M12	77	57

Tools Required

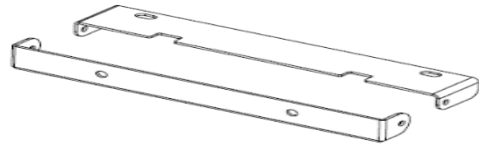
Basic tool kit	Temporary marker pens
Plastic trim cutting tool/blade	Torque wrench
Tape measure	Drill with full metric drill set
Masking tape	18mm solid block



Part List		
No.	Description	Qty
1	Bull Bar Ford Ranger 2015	1
2	Bar Mount	1
3	Recovery Point RH	1
4	Recovery Point LH	1
5	M12 x 1.25 Plate Nut	2
6	Bracket for Plastic Bumper	2
7	Bracket Wing Guard	2
N/A	Parking Sensor Plug 29 mm (Fit on Bar)	6

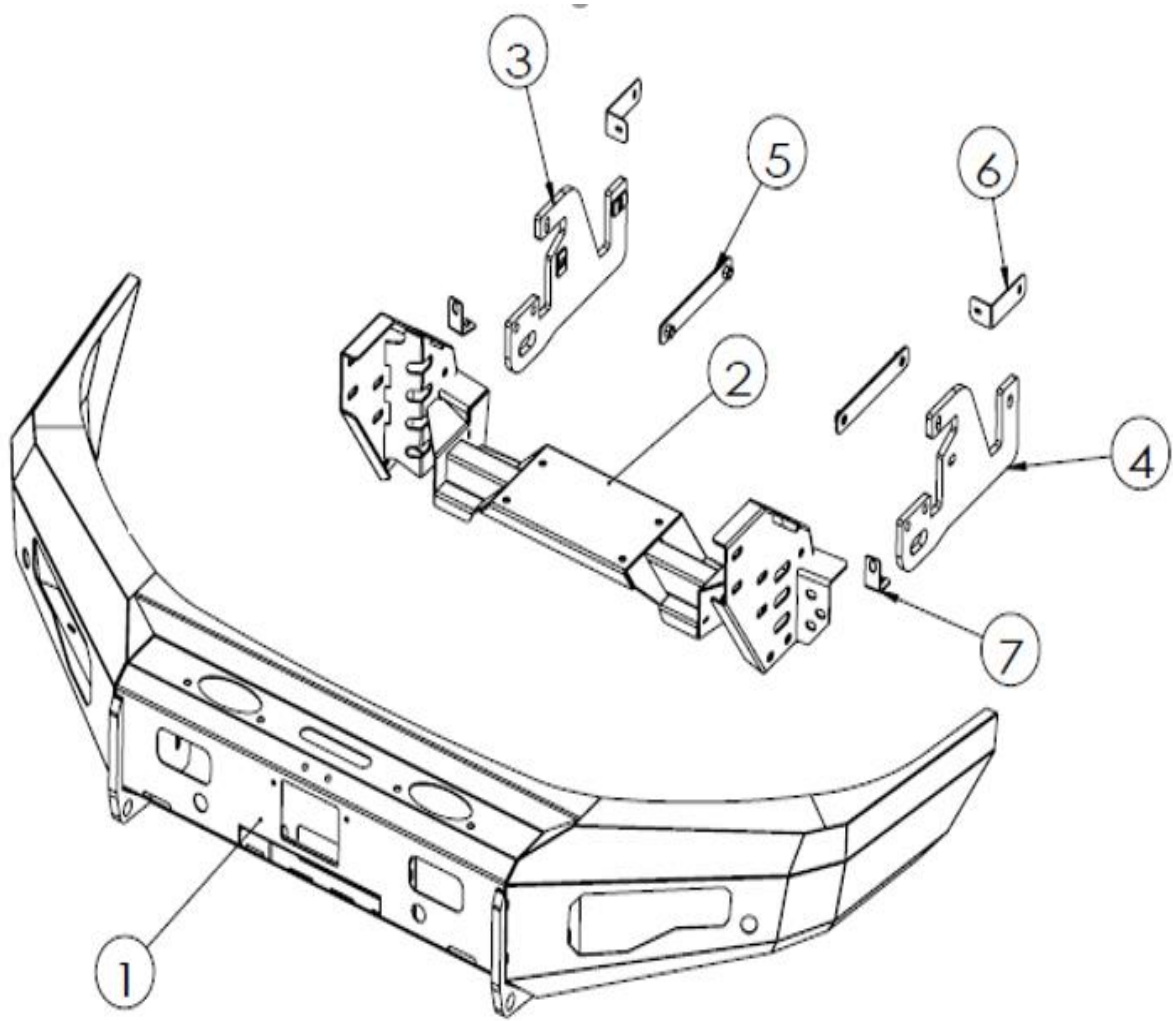
Control Winch Plate		
		
No.	Description	Qty
N/A	M6 x 1.0 x 25 Hex Bolt	2
N/A	M6 x 1.0 Flange Nut	4
N/A	M6 x Ø12.5 mm Flat Washer	6

License Plate-2 for Ford PX-3 only



No.	Description	Qty
N/A	M6 x 1.0 x 25 Hex Bolt	4
N/A	M6 x 1.0 Flange Nut	4
N/A	M6 x Ø12.5 mm Flat Washer	8
N/A	M6 x 1.0 x 25 Button Head Bolt	2
N/A	M6 x 1.0 Nyloc Nut	2
N/A	M6 x Ø12.5 mm Flat Washer	6

Bolt Kit		
No.	Description	Qty
N/A	M6 x 1.0 x 25 Hex Bolt	9
N/A	M6 x 1.0 Flange Nut	9
N/A	M6 x Ø19mm Flat Washer	18
N/A	M10 x 1.25 x 100 Hex Bolt	2
N/A	M10 x 1.5 x 35 Hex Bolt	4
N/A	M10 x 1.25 x 35 Hex Bolt	20
N/A	M10 x 1.25 Nyloc Nut	22
N/A	M10 x Ø28mm Flat Washer	48
N/A	M12 x 1.25 x 100 Hex Bolt	4
N/A	M12 x Ø32mm Flat Washer	4
N/A	M12 Spring Washer	4
N/A	Bumper Trim Template LH	1
N/A	Bumper Trim Template RH	1





- Check car for damages and record if any.



- Undo screws and take off the top radiator shroud and retain it.



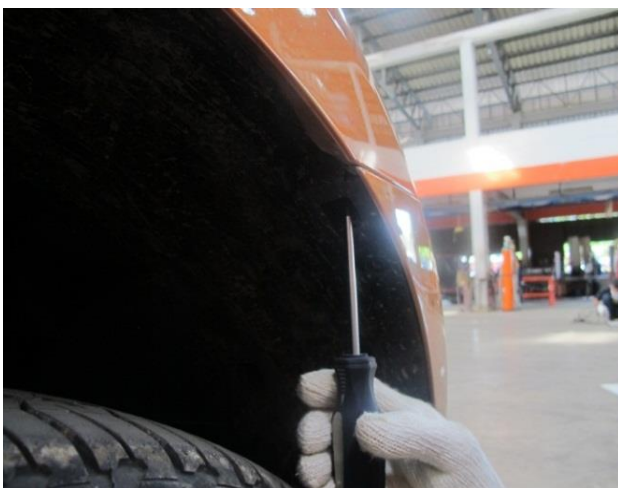
- Undo indicated bolt and retain.



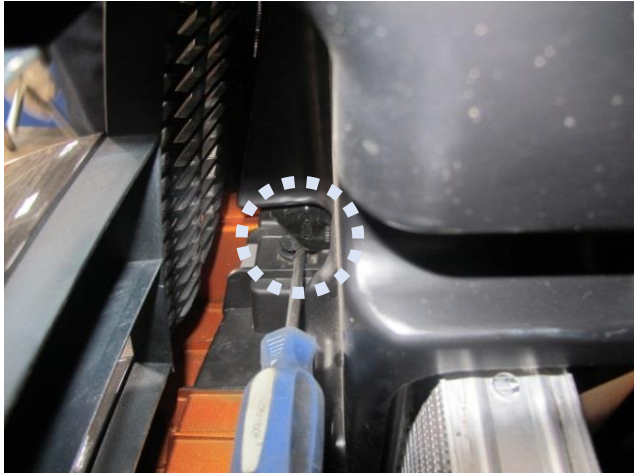
- Undo and discard lower bumper bolt.



- Undo indicated screw and discard.



- Undo vertical screws in the wheel arch and retain.



- Undo the indicated bolt and clip located behind radiator grill and discard it.



- Carefully remove bumper and place it on a smooth surface.



- Frontal view after bumper and grill removal.



- ❑ Using a masking tape, mark along the indicated line on the air-dam component.
- ❑ Gently remove and make a cut and place back the remaining part.



- ❑ Relocate temperature sensors to the horn bracket.



- Undo and discard lower air deflector component.



- Undo lower bumper support bracket and discard.



- Undo and discard chassis cross beam.



- Undo under-body protection and retain.



- Undo bumper bracket support.



- Use a masking tape and mark along the indicated line.
- Make a cut along the marked line and place the remaining bracket back on the car.



- Frontal view after removal of air dam and cross beam.



- Place the bumper trim template provided with the fitting instructions as indicated.



- Cut off original from the grill along the path and keep the indicated part for fastening.



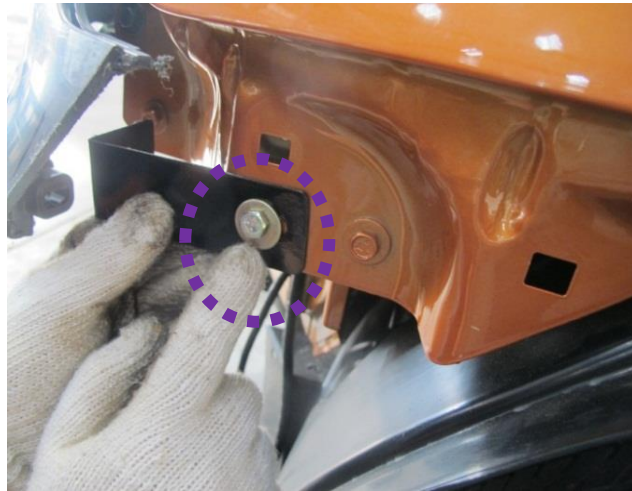
- ❑ Measure 25mm from the lower grill line (in purple) and mark it using a masking tape as indicated (in orange).
- ❑ Make a cut along the marked line.



- ❑ Frontal view after grill and bumper cut.



- ❑ Carefully align the bumper bracket provided in the fitting kit.



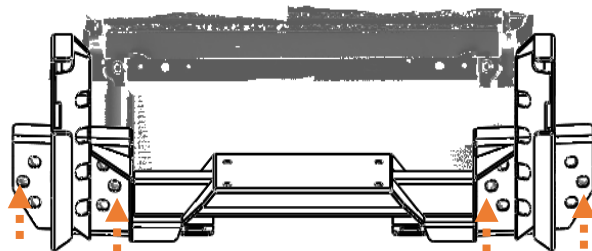
- ❑ Mount the bracket at indicated mounting point using the M6 bolt kit provided in the bolt kit.



- ❑ Mount the bumper with the bracket using the M6 bolt provided in the bolt kit.

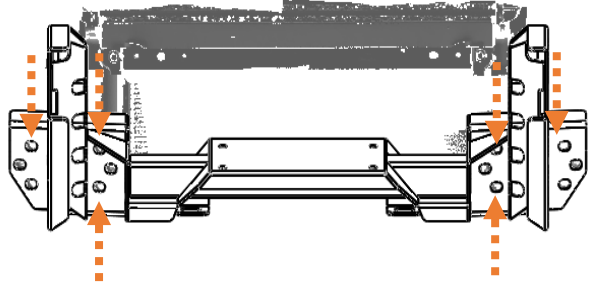
M10 x 1.5 x 35 Hex Bolt

M10 Flat Washer



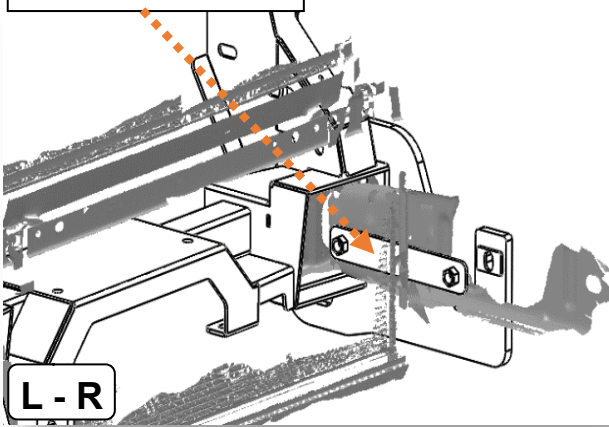
- ❑ Mount winch cradle to the chassis mount using the provided bolt kit.

M10 x 1.25 x 35 Hex Bolt
M10 Flat Washer
M10 Nyloc Nut



- Mount winch cradle to the chassis mount using the provided bolt kit.

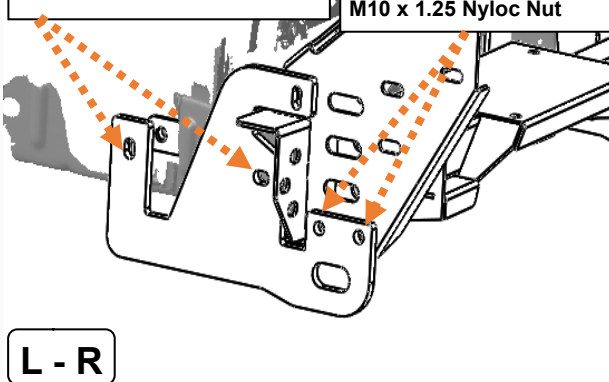
Plate Nut M12 x 1.25



- Install plate nut provided in the fitting kit.

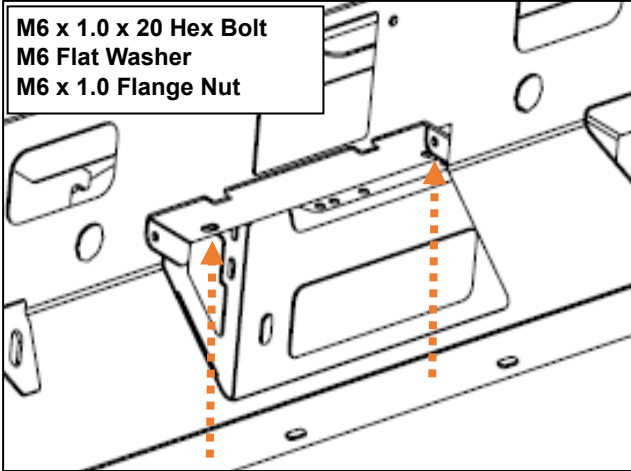
M12 x 1.25 x 100 Hex Bolt
M12 Flat Washer

M10 x 1.25 x 35 Hex Bolt
M10 Flat Washer
M10 x 1.25 Nyloc Nut



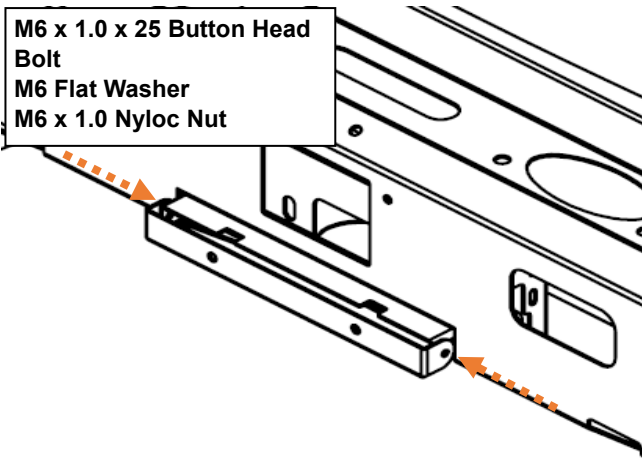
- Mount recovery point provided in the fitting kit.

M6 x 1.0 x 20 Hex Bolt
M6 Flat Washer
M6 x 1.0 Flange Nut



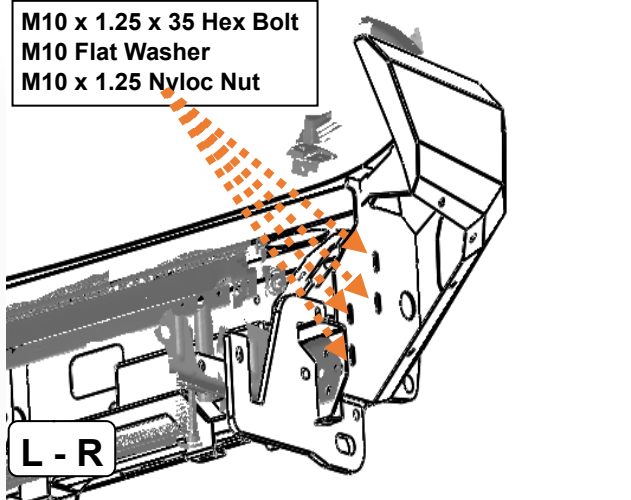
- ❑ Mount sonar using the sonar bracket provided in the fitting kit.

M6 x 1.0 x 25 Button Head Bolt
M6 Flat Washer
M6 x 1.0 Nyloc Nut



- ❑

M10 x 1.25 x 35 Hex Bolt
M10 Flat Washer
M10 x 1.25 Nyloc Nut



- ❑ Mount bulbar to the winch cradle.
- ❑ For optimal fitment keep an 18 mm gap between the bulbar and fender profile.

Disclaimer:

- For optimal fitting there should be an 18 mm gap between the bullbar and fender and parallel to the fender line.
- Further fitment is at the installer's own discretion.

